



PRODUCT SPECIFICATIONS

Tel: 888-640-0925
Fax: 513-583-5786

Sales@Vents-us.com
Vents-US.com
400 Murray Rd,
Cincinnati, OH 45217


DESCRIPTION

For supply ventilation, air conditioning and heating. Designed for wall mounting or installation into false ceiling. Used to arrange correct air circulation in premises.

Made of high quality plastic (ABS plastic or polystyrene). Special aerodynamic disk valve design ensures uniform air distribution. Easy mounting with a mounting flange and a locking ring. The internal part has a sealing ring for more tight fit. Built-in protecting insect screen.

MV 80 PFS - MV 315 PFS

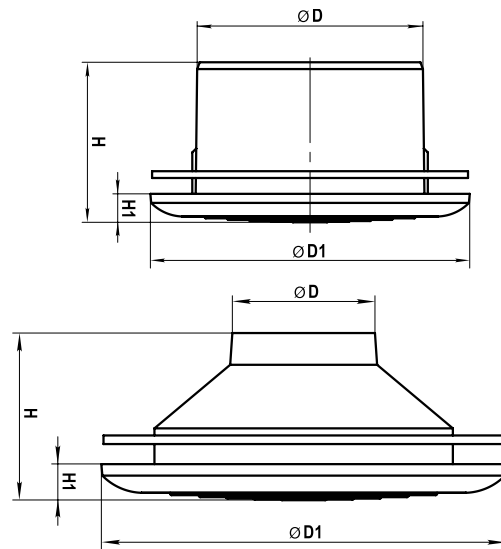
Basic modifications equipped with mounting flanges with a locking ring for easy connection to round 3^{3/20}"-12^{2/5}" air ducts.


MV 200/150 PFS

Equipped with a reducing flange for connection to 5^{9/10}" air duct.


DIMENSIONS

Model	Measurements [in.]				Air pass [ft. ²]
	D	D1	H	H1	
MV 80 PFs	3 3/20"	4 4/5"	2 3/4"	1/2"	0.04
MV 100 PFs	3 9/10"	5 1/2"	2 4/5"	1/2"	0.06
MV 125 PFs	4 9/10"	6 1/2"	2 4/5"	1/2"	0.11
MV 150 PFs	5 9/10"	7 2/5"	2 4/5"	3/5"	0.15
MV 200 PFs	7 9/10"	9 1/2"	2 4/5"	3/5"	0.27
MV 200/150 PFs	5 9/10"	9 1/2"	3 9/10"	3/5"	0.27
MV 250 PFs	9 9/10"	11 1/2"	3 1/10"	4/5"	0.42
MV 315 PFs	12 2/5"	14 3/5"	3 1/4"	9/10"	0.67



MODEL	QUANTITY	COMMENTS	PROJECT
			location:
			architect:
			engineer:
			contractor:
			submitted by: