



PRODUCT SPECIFICATIONS

Tel: 888-640-0925
Fax: 513-583-5786

Sales@Vents-us.com
Vents-US.com
400 Murray Rd,
Cincinnati, OH 45217


DESCRIPTION

Specially designed for extract and input ventilation. Features mosquito screen. Recommended for internal and external mounting. The polymeric or anodized coating makes the grilles weather resistant.

Available color is white (RAL 9016)

AVAILABLE MATERIALS:

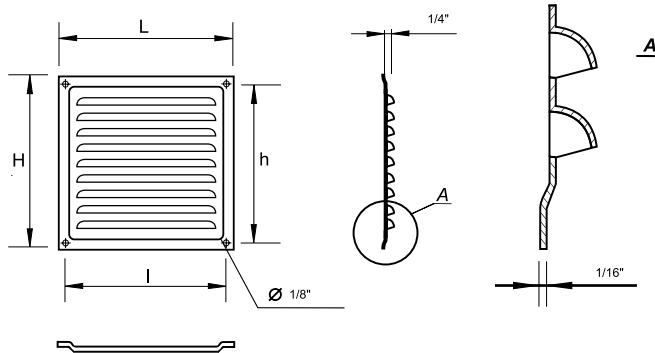
- Painted steel (RAL code)
- Galvanized steel (Zn)

For special order only:

- Aluminum
- Painted aluminum

DIMENSIONS

Model	Measurements [in.]				Air pass Sq.Ft
	L	H	l	h	
MVM 125s	4 15/16"	4 15/16"	4 3/8"	4 3/8"	0.042
MVM 150s	5 7/8"	5 7/8"	5 3/8"	5 3/8"	0.743
MVM 200s	7 7/8"	7 7/8"	7 3/16"	7 3/16"	0.1399
MVM 250s	9 13/16"	9 13/16"	9 3/16"	9 3/16"	0.2411
MVM 300s	11 13/16"	11 13/16"	11 3/16"	11 3/16"	0.3014



MODEL	QUANTITY	COMMENTS	PROJECT
			location:
			architect:
			engineer:
			contractor:
			submitted by:

Tel: 888-640-0925 Sales@Vents-us.com
 Fax: 513-583-5786 Vents-US.com
 400 Murray Rd,
 Cincinnati, OH 45217